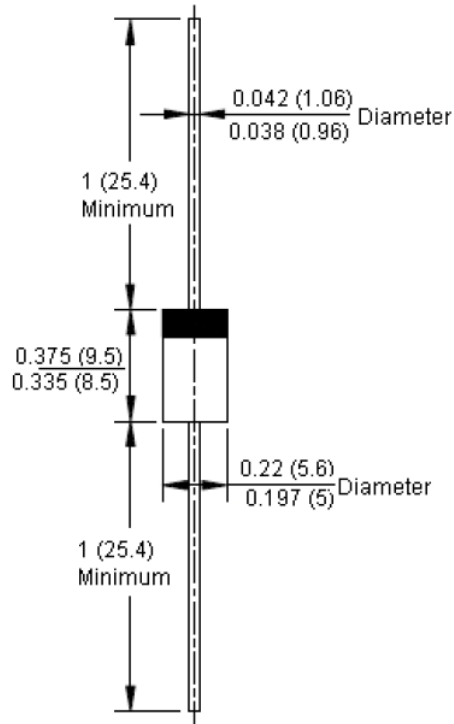


Diodes

Unidirectional and Bidirectional

DO-201



Dimensions : Inches (Millimetres)

Features:

- Glass passivate chip
- Low leakage
- Uni and bidirectional unit
- Excellent clamping capability
- Plastic material has UL recognition 94V-0
- Fast response time

Mechanical Data:

Case : Moulded Plastic
 Weight : 1.2 g

Maximum Ratings and Electrical Characteristics:

Rating at 25°C ambient temperature unless otherwise specified
 Single phase, half wave, 60 Hz, resistive or inductive load
 For capacitive load, derate current by 20%

Characteristics	Symbol	Value	Unit
Peak Power Dissipation at $T_A = 25^\circ\text{C}$ TP = 1 ms	P_{PK}	Minimum 1,500	Watts
Peak Forward Surge Current 8.3 ms Single Half Sine-Wave Super Imposed on Rated Load (JEDEC Method)	I_{FSM}	200	Amperes
Steady State Power Dissipation at $T_L = 75^\circ\text{C}$ Lead Lengths 0.375 inches (9.5 mm)	$P_{M(AV)}$	5	Watts
Operating Temperature Range	T_J	-55 to + 150	°C
Storage Temperature Range	T_{STG}	-55 to + 175	°C

Diodes



Unidirectional and Bidirectional

Part Number	Part Number	Reverse Standoff Voltage	Breakdown Voltage BV Volts @ It			Maximum Reverse Leakage @ VR	Maximum Clamping Voltage @ Ipp	Maximum Peak Pulse Current	Maximum Voltage Temperature Variation of Bv
			Minimum (V)	Maximum (V)	It (mA)				
(UNI)	(BI)	VR(V)				IR (μA)	Vc (V)	Ipp (A)	mV/°C
1.5KE6.8A	1.5KE6.8CA	5.8	6.45	7.14	10	1000	10.5	143	0.057
1.5KE7.5A	1.5KE7.5CA	6.4	7.13	7.88	10	500	11.3	132	0.061
1.5KE8.2A	1.5KE8.2CA	7.02	7.79	8.61	10	200	12.1	124	0.065
1.5KE10A	1.5KE10CA	8.55	9.5	10.5	1	10	14.5	103	0.073
1.5KE12A	1.5KE12CA	10.2	11.4	12.6	1	5	16.7	90	0.078
1.5KE13A	1.5KE13CA	11.1	12.4	13.7	1	5	18.2	82	0.081
1.5KE15A	1.5KE15CA	12.8	14.3	15.8	1	5	21.2	71	0.084
1.5KE16A	1.5KE16CA	13.6	15.2	16.8	1	5	22.5	67	0.086
1.5KE18A	1.5KE18CA	15.3	17.1	18.9	1	5	25.2	59.5	0.088
1.5KE20A	1.5KE20CA	17.1	19	21	1	5	27.7	54	0.09
1.5KE22A	1.5KE22CA	18.8	20.9	23.1	1	5	30.6	49	0.092
1.5KE24A	1.5KE24CA	20.5	22.8	25.2	1	5	33.2	45	0.094
1.5KE27A	1.5KE27CA	23.1	25.7	28.4	1	5	37.5	40	0.096
1.5KE30A	1.5KE30CA	25.6	28.5	31.5	1	5	41.4	36	0.097
1.5KE33A	1.5KE33CA	28.2	31.4	34.7	1	5	45.7	33	0.098
1.5KE36A	1.5KE36CA	30.8	34.2	37.8	1	5	49.9	30	0.099
1.5KE39A	1.5KE39CA	33.3	37.1	41	1	5	53.9	28	0.1
1.5KE43A	1.5KE43CA	36.8	40.9	45.2	1	5	59.3	25.3	0.101
1.5KE47A	1.5KE47CA	40.2	44.7	49.4	1	5	64.8	23.2	0.101
1.5KE51A	1.5KE51CA	43.6	48.5	53.6	1	5	70.1	21.4	0.102
1.5KE56A	1.5KE56CA	47.8	53.2	58.8	1	5	77	19.5	0.103
1.5KE62A	1.5KE62CA	53	58.9	65.1	1	5	85	17.7	0.104
1.5KE68A	1.5KE68CA	58.1	64.6	71.4	1	5	92	16.3	0.104
1.5KE75A	1.5KE75CA	64.7	71.3	78.8	1	5	103	14.6	0.105
1.5KE91A	1.5KE91CA	77.8	86.5	95.5	1	5	125	12	0.106
1.5KE100A	1.5KE100CA	85.5	95	105	1	5	137	11	0.106

Notes : Suffix 'C' denotes bidirectional device. Suffix 'A' denotes 5% tolerance device.
 1. For bidirectional devices having VR of 10volts and under, the IR limit is doubled

